

Job Name/Location:

Tag No.:

Date:

For:	File	Resubmit
	Approval	Other_____

PO No.:

Architect: GC:

Engr: Mech:

Rep: (Company) (Project Manager)



# ARVU093ZFA2

## Energy Recovery Ventilator (ERV)



### Performance:

Nominal Capacity (CFM)	880
Power Input SH (W)	720

Capacities are in accordance with AHRI Standard 1060.

### Heat Exchanger Data:

Air-to-Air Heat Exchanger	Cross flow fixed core
Quantity	1
Temperature Exchange Efficiency (%)	
Cooling (fan speed SH)	62
Heating (fan speed SH)	61
Enthalpy Exchange Efficiency (%)	
Cooling (fan speed SH)	37
Heating (fan speed SH)	52

### Electrical:

Power Supply (V/Hz/Ø)	208-230/60/1
Rated Amps SH (A)	5.62

### Controls Features:

#### Stand Alone Mode:

- Can be operated independently

#### Ventilation Heat Exchange Mode:

- Draws outdoor air and indoor exhaust air across air-to-air heat exchanger

#### Ventilation Normal (Bypass) Mode:

- Controls by-pass damper to bypass air-to-air heat exchanger and draw in untempered outdoor air

### Optional Accessories:

- Deluxe Wired Remote Controller (White Housing) - PREMTA200
- Deluxe Wired Remote Controller (Black Housing) - PREMTA201
- Standard III Wired Remote Controller (White Housing) - PREMTB101
- Standard III Wired Remote Controller (Black Housing) - PREMTBB11
- PI485 (required for central controller) - PSNFP14A0

### Operating Range:

Outdoor Temperature (°F DB)	14 - 113
-----------------------------	----------

### Unit Data:

Sound Pressure SH/H/L dB(A)	44 / 41 / 35
Filter	
Quantity	4
Net Unit Weight (lbs)	331
Shipping Weight (lbs)	397

### Fan:

Type	Cross Flow
Quantity	4
Motor/Drive	Brushless Digitally Controlled/Direct
Airflow Rate SH/H/L (CFM)	883 / 883 / 706
External Static Pressure SH/H/L (in wg)	0.80 / 0.44 / 0.24

### Notes:

1. SH = super high speed, H = high speed, L = low speed
2. All communication cable to be minimum 18 AWG, 2-conductor, stranded, shielded and must comply with applicable local and national code.
3. Power wiring cable size must comply with the applicable local and national code.
4. Must follow installation instructions in the applicable LG installation manual.



**ARVU093ZFA2**  
Energy Recovery Ventilator (ERV)

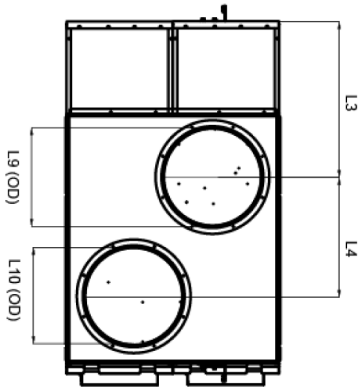


Tag No.: \_\_\_\_\_

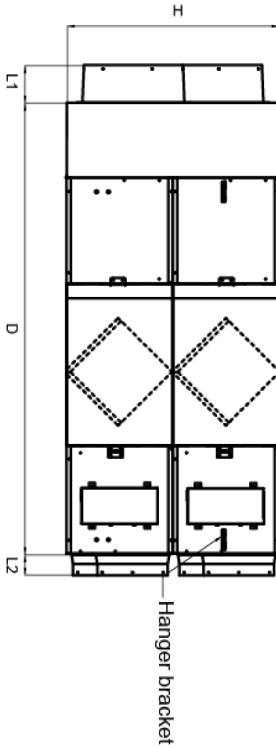
Date: \_\_\_\_\_

PO No.: \_\_\_\_\_

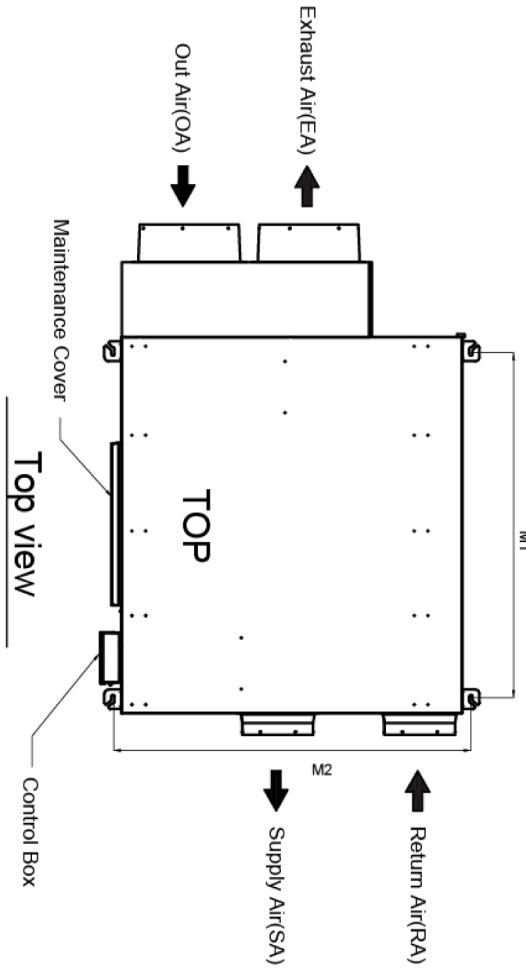
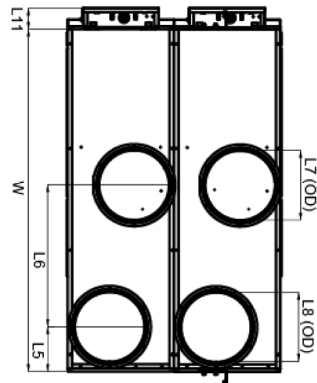
**Left Side view**



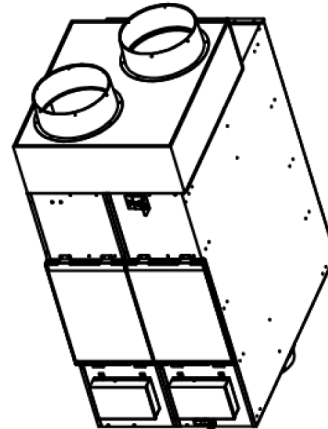
**Front view**



**Right Side view**



**Isometric view**



W	44 7/8"
D	41 13/16"
H	29 1/16"
L1	5 1/8"
L2	3 1/8"
L3	19"
L4	16 1/8"
L5	5 3/4"
L6	20 3/16"
L7	9 9/16"
L8	9 9/16"
L9	13 3/4"
L10	13 3/4"
L11	3 7/8"
M1	38 7/8"
M2	46 5/16"