

Job Name/Location:

Tag #:

Date:

For: File Resubmit
 Approval Other

PO No.:

Architect:

GC:

Engr:

Mech:

Rep:

(Company)

(Project Manager)



ARNU243M2A4
Multi V™ High Static Ducted
24,200 Btu/h Indoor Unit



Performance:

Total Cooling Capacity (Btu/h)	24,200
Heating Capacity (Btu/h)	27,300
Max Power Input ¹ (W)	430
L/M/H Power Input at Factory Default (W)	34 / 43 / 67

Rated capacity is certified under AHRI Standard 1230-2023. Ratings are subject to change without notice. Current and past certified ratings are available at www.ahridirectory.org.

Electrical:

Power Supply (V/Hz/Ø)	208-230/60/1
Rated Amps (A)	2.3

Piping:

Refrigerant:

Liquid Line (in, OD)	3/8 Flare
Vapor Line (in, OD)	5/8 Flare

Condensate:

Condensate Pump Drain ² (in, ID)	1 Plain
Gravity Drain Plugged (in, OD)	1 (3/4 MPT)

Controls Features:

- Auto changeover (Heat Recovery only)
- Auto operation
- Auto restart
- Dual thermistor control
- Wi-Fi compatible
- Dual setpoint control
- Multiple aux heater applications
- Filter life display
- External on/off control
- Auto fan
- Leak detection
- Weekly schedule
- Fan speed control
- Group control
- Hot start
- Self diagnostics
- Timer (on/off)
- Child lock

Optional Accessories:

- Wireless Remote Controller³ - PWLSSB21H
- MultiSITE™ CRC2 Controller - PREMTBVC2
- MultiSITE CRC2+ Controller - PREMTBVC3
- MultiSITE CRC2+Z Controller - PREMTBVC4
- Simple Remote Controller - PREMTCC00U
- Standard III Remote Controller (White Housing) - PREMTB100
- Standard III Remote Controller (Black Housing) - PREMTBB10
- Deluxe Remote Controller - PREMTA201
- Remote Temperature Button Sensor - ZRTBS01
- Simple Dry Contact (1 contact, 24 VAC external power) - PDRYCB100
- Dry Contact for Third-Party Thermostat¹⁵ - PDRYCB320
- Dry Contact for Economizer - PDRYCB400
- Auxiliary Heater Kit¹⁵ - PRARH1
- Wi-Fi Module - PWFMD200
- High Efficiency Filter Box - ZFBXM201A



For continual product development, LG reserves the right to change specifications without notice.

Entering Mixed Air:

Cooling Max ⁴ (°F WB)	76
Heating Min (°F DB)	59

Unit Data:

Refrigerant Type	R410A
Refrigerant Control	EEV
Sound Power ⁵ dB(A) (H/M/L, @0.24 ESP)	44/42/42
Sound Pressure ⁶ dB(A) (H/M/L, @0.24 ESP)	39/38/37
Filter Type	Washable
MERV	N/A
Filter Quantity	2
Filter Dimensions ⁷ (in)	9-11/16 x 23-15/16 x 3/16
Net Unit Weight (lbs)	82.9
Shipping Weight (lbs)	95.5

Fan:

Type	Sirocco
Fan Quantity	2
Motor/Drive	Brushless Digitally Controlled/Direct
Motor Quantity	1
High Mode Airflow Rate H/M/L (CFM)	673 / 512 / 425
High Mode External Static Pressure (ESP) ⁸ (in wg)	0.24
Airflow Range (CFM)	135 - 1,431
Minimum ESP (in wg) ⁹	0.16
Maximum ESP (in wg) ⁹	0.71

Notes:

1. Maximum power input is rated at maximum setting value.
2. Maximum lift is 27 in from bottom of unit. Check valve not included (field supplied).
3. Requires an LG wall controller because ducted units do not have infrared receiver.
4. See Engineering Manual for sensible and latent capacities.
5. Sound Power level is measured using rated conditions, and tested in a reverberation room per AHRI 260.
6. Sound Pressure levels are tested in an anechoic chamber under ISO Standard 3745.
7. Actual filter sizes may vary.
8. At factory fan speed setting.
9. Maximum static pressure may result in reduced airflow (CFM).
10. All Communication cable between Main outdoor units to indoor units / heat recovery units to be 18 AWG, 2-conductor, twisted, stranded, shielded. Ensure the communication cable shield is properly grounded to the Main outdoor unit chassis only. Do not ground the outdoor unit to indoor units / heat recovery units communication cable at any other point. Wiring must comply with all applicable local and national codes.
11. Power wiring cable size must comply with the applicable local and national code.
12. This unit comes with a dry nitrogen charge.
13. All capacities are net with a combination ratio between 95 – 105%.
14. Must follow installation instructions in the applicable LG installation manual.
15. If a Third-Party Dry Contact and an LG internal heater or an LG Auxiliary Heater Kit is installed, supplemental heat capability cannot be controlled by the Third-Party Thermostat.

Job Name/Location:

ARNU243M2A4
Multi V™ High Static Ducted
24,200 Btu/h Indoor Unit

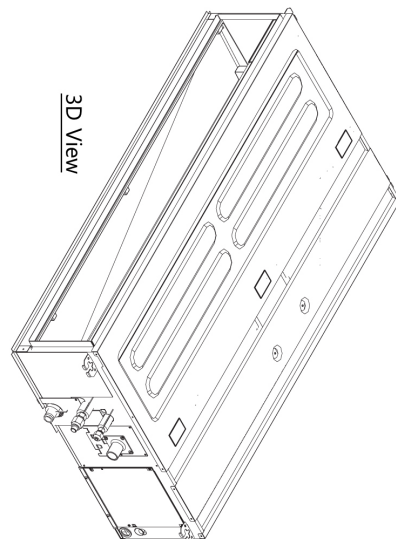
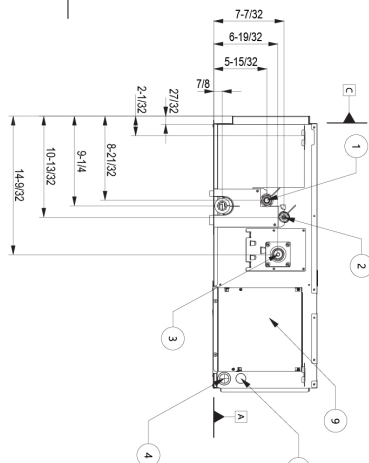
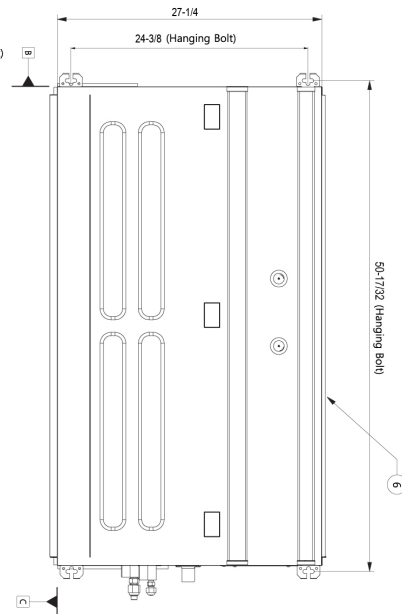
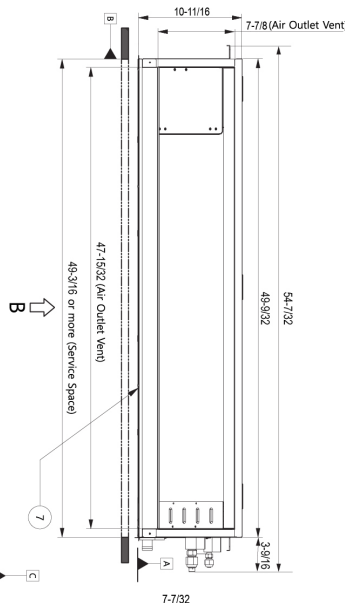
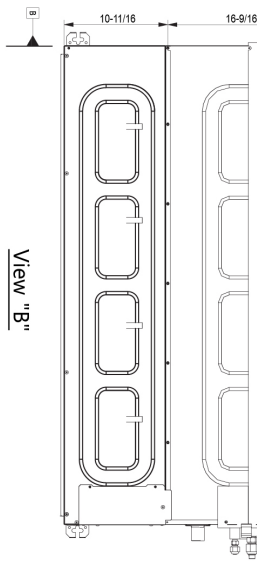
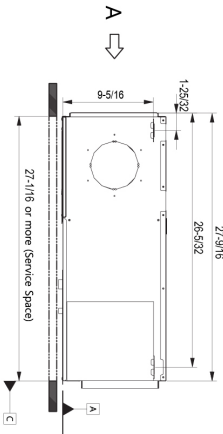
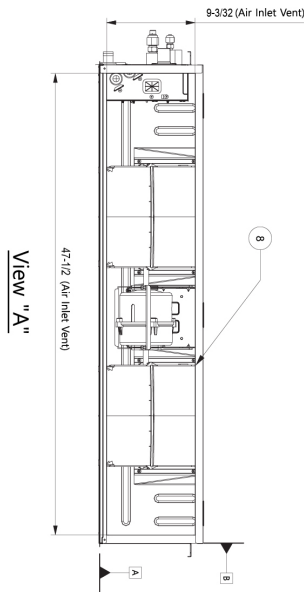


Tag #:

Date:

PO No.:

[Unit: inch]



No.	Part Name	Description
9	Control Cover	-
8	Air Filters	Supplied with product
7	Air Outlet	-
6	Air Inlet	-
5	Power Cable Hole	-
4	Remote and Communication Cable Hole	-
3	Drain pipe connection	-
2	Liquid pipe connection	-
1	Gas pipe connection	-