

Job Name/Location:

Tag No.:

Date:

For:	File	Resubmit
	Approval	Other_____

PO No.:

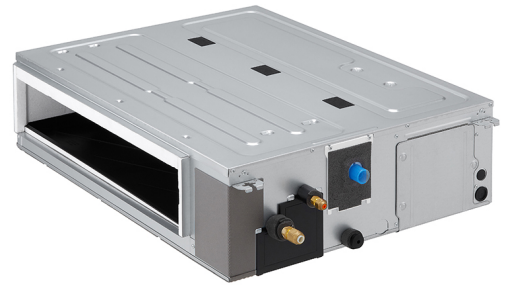
Architect: GC:

Engr: Mech:

Rep:

(Company)

(Project Manager)



**ZRNU073MAAA**

**R32 Multi V™ Convertible Mid Static Ducted**

**7,500 Btu/h Indoor Unit**

**Performance:**

Total Cooling Capacity (Btu/h) <sup>1</sup>	7,500
Heating Capacity (Btu/h) <sup>1</sup>	8,500
Max Power Input (W) <sup>2</sup>	220
H/M/L Power Input at Factory Default (W)	47 / 36 / 30

Rated capacity is certified under the latest AHRI Standard 1230. Ratings are subject to change without notice. Current and past certified ratings are available at <https://www.ahridirectory.org/>

**Electrical:**

Power Supply (V/Hz/Ø)	208-230 / 60 / 1
Rated Amps (A)	1.7

**Piping:**

Refrigerant:

Liquid Line (in., O.D.)	1/4 Flare
Vapor Line (in., O.D.)	3/8 Flare

Condensate:

Condensate Pump Drain <sup>3</sup> (in. I.D.)	1 Plain
Gravity Drain Plugged (in, O.D.)	1 (3/4 MPT)

**Controls Features:**

- Auto changeover (Heat Recovery only)
- Auto operation
- Auto restart
- Dual thermistor control
- Dual setpoint control
- Timer (on/off)
- Weekly schedule
- Fan speed control
- Filter life display
- Multiple auxiliary heater applications
- Child lock
- Group control
- Hot start
- Self diagnostics
- External on/off control
- Wi-Fi compatible
- Auto fan
- R32 leak detection sensor

**Optional Accessories:**

- Auxiliary Heater Kit<sup>4</sup> - PRARH1
- Wi-Fi Module - PWFMD200
- High Efficiency Filter Box - ZFBXMA01A
- Vertical Installation Kit - ABDAMA0

**Controller Options:**

- MultiSITE™ CRC2\* Controllers
- Simple Remote Controllers
- Standard III Remote Controllers
- Deluxe Remote Controllers
- Remote Temperature Button Sensor
- Dry Contacts

**Entering Mixed Air:**

Cooling Maximum <sup>1</sup> (°F WB)	76
Heating Minimum (°F DB)	59

**Unit Data:**

Refrigerant Type	R32
Refrigerant Control	EEV
Sound Pressure <sup>5</sup> dB(A) (H/M/L,@0.24 ESP)	28 / 27 / 25
Sound Power <sup>6</sup> dB(A)	44
Filter Type	Washable
Filter Quantity	2
Filter Dimensions <sup>7</sup> (in)	28 x 8-1/16 x 3/16
Unit Net / Shipping Weight (lbs.)	62.6 / 72.1

**Fan:**

Fan Type / Quantity	Sirocco / 2
Motor/Drive	Brushless Digitally Controlled/Direct
Motor Quantity	1
Factory Set External Static Pressure (ESP) <sup>8</sup> (in wg)	0.16
Factory Set Airflow Rate H/M/L (CFM)	283 / 247 / 212
Minimum ESP (in wg) <sup>9</sup>	0.1
Maximum ESP (in wg) <sup>9</sup>	0.59

**Notes:**

1. See Engineering Manual for sensible and latent capacities.
2. Maximum power input is rated at maximum setting value.
3. Maximum lift is 27 in from bottom of unit. Check valve not included (field supplied).
4. If a Third-Party Dry Contact and an LG internal heater or an LG Auxiliary Heater Kit is installed, supplemental heat capability cannot be controlled by the Third-Party Thermostat.
5. Sound Pressure levels are tested in an anechoic chamber under ISO Standard 3745.
6. Sound Power levels are tested in a reverberation chamber under ISO Standard 3741.
7. Actual filter sizes may vary.
8. At factory fan speed setting.
9. Maximum static pressure may result in reduced airflow (CFM).
10. Communication cable between (main) outdoor unit to indoor units/ heat recovery units to be 18 AWG, 2-conductor, twisted, stranded, shielded. Ensure the communication cable shield is properly grounded to the (main) outdoor unit chassis only. Ⓞ DO NOT ground the outdoor unit to indoor units / heat recovery units communication cable at any other point. Wiring must comply with all applicable local and national codes.
11. Power wiring is field provided, and must comply with the applicable local and national codes.
12. This unit comes with a dry nitrogen charge.
13. All capacities are net with a combination ratio between 95 – 105%.
14. Must follow installation instructions in the applicable LG installation manual.



Job Name/Location: \_\_\_\_\_

**ZRNU073MAAA**

R32 Multi V™ Convertible Mid Static Ducted  
7,500 Btu/h Indoor Unit



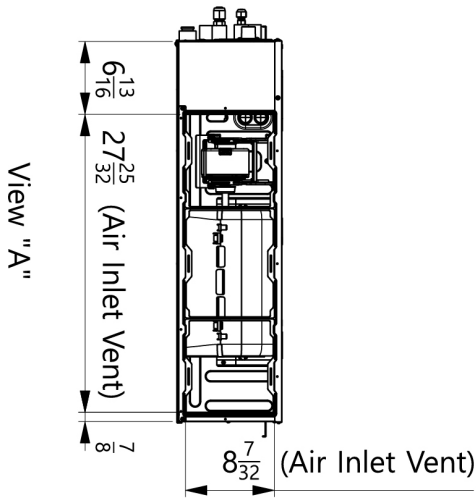
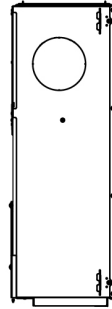
Tag No.: \_\_\_\_\_

Date: \_\_\_\_\_

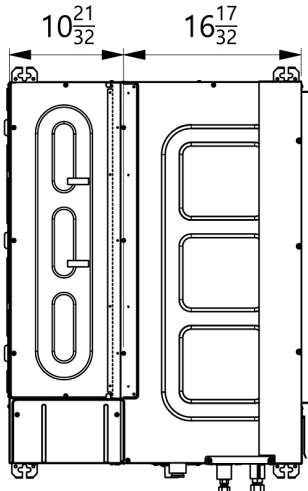
PO No.: \_\_\_\_\_

[Unit: inch]  
Chassis Code : MA  
DWG No. : TBB36538801\_Rev.00

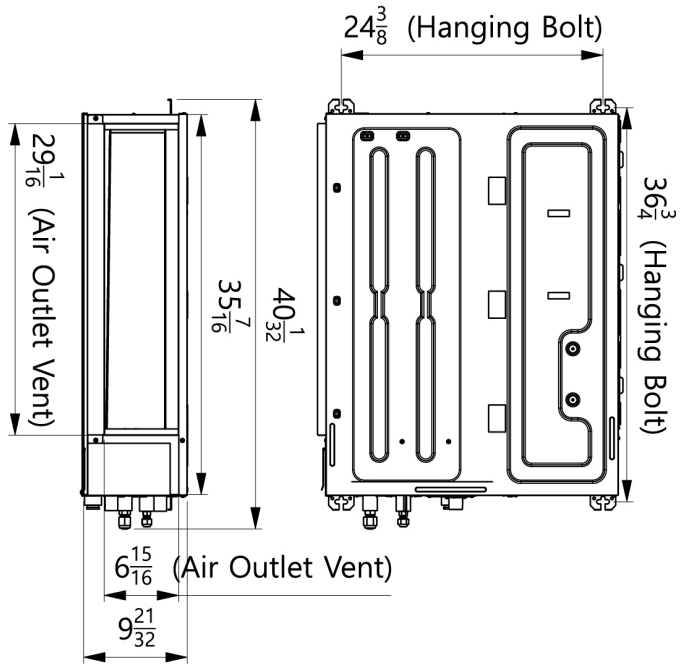
"A" →



Note  
1. Unit should be grounded in accordance with the local regulations or applicable national codes.  
2. All electrical components and materials to be supplied from the site must comply with the local regulations or international codes.



↓ Piping Direction  
↓ Drainage Direction



3D View

