

Date:	For: File	Resubmit
PO No.:	Approval	Other
Architect:	GC:	
Engr:	Mech:	
Rep:		
<small>(Company)</small>	<small>(Project Manager)</small>	



KPHTC411M
Air-to-Water Heat Pump Monobloc (41,000 Btu/h)

Performance:

Cooling Capacity (Btu/h) (Leaving Water Temp. 64.4°F) (Outdoor Temp. 95°F DB/75.2°F WB)	41,000
Heating Capacity (Btu/h) (Leaving Water Temp. 95°F) (Outdoor Temp. 44.6°F DB/42.8°F WB)	41,000
EER Cooling (Btu/Wh) (Leaving Water Temp. 64.4°F) (Outdoor Temp. 95°F DB/75.2°F WB)	16.21
COP Heating (W/W) (Leaving Water Temp. 95°F) (Outdoor Temp. 44.6°F DB/42.8°F WB)	4.90
COP @ A5W110 (Leaving Water Temp. 110°F) (Outdoor Temp. 5°F)	2.5

Performance values indicated above are in accordance with EN14511.

Water Operating Range:

Cooling Mode Leaving Water Temp (°F)	41 ~ 80.6
Heating Mode Leaving Water Temp (°F)	59 ~ 149

Refrigerant Data:

Refrigerant Type	R32
GWP (Global Warming Potential)	675
Refrigerant Control / Oil	Electronic Expansion Valve/FW68D
Refrigerant Charge (lbs.)	4.41
Compressor Type	Hermetic Sealed Scroll
Heat Exchanger Type / Qty	Fin & Tube / 2
Fan Type / Motor	Propeller / BLDC
Net Dimensions (WxHxD, in.)	48-51/64 x 54-21/64 x 12-63/64
Shipping Dimensions (WxHxD, in.)	53-45/64 x 60-7/64 x 17-41/64
Net / Shipping Weight (lbs.)	262.6 / 295.6
Sound Power dB(A) ³ (Daytime Max/Rated/Low Noise)	65 / 60 / 56
Sound Pressure dB(A) ⁴ (Daytime Max/Rated/Low Noise)	57 / 52 / 48

Electrical:

Power Supply (V/Hz/Ø) ^{1,2}	220-240 / 60 / 1
Peak Control Running Current(A)	23.0
Rated Running Current (A)	
Cooling	11.2
Heating	10.9
Circuit breaker (A) ⁵	40

Rated running currents are based on the following conditions:

- Cooling: Outdoor Temp. 44.6°F DB/42.8°F WB and Leaving Water Temp. 95°F
- Heating: Outdoor Temp. 95°F DB/75.2°F WB and Leaving Water Temp. 64.4°F

Water Data:

Water Pump Type	Canned for hot water circulation
Water Pump Motor	BLDC
Water Pump	
Power input (Min./Rated) (W)	3.5 / 140
Water Flow Rate (Min./Rated) (GPM)	0 / 12.15
Piping Connections	
Inlet/ Outlet (in.)	1 Male Pipe Thread (tapered)
Strainer	
Material/Mesh Size/Max. particle size	Stainless Steel / 30 / 1-3/16 (in.)
Relief Valve Pressure (PSI)	43.5
Water Pressure sensor	
Measuring range (Min.~Max.) PSI(G)	0 ~ 290
Flow Sensor	
Measuring range (Min.~Max.) (GPM)	1.3 ~ 21.1
Flow Trigger Point (GPM)	3.96

Devices for Water Circuit:

- Relief valve / Flow Sensor
- Drain hose
- Pressure Sensor / Air vent

Accessories:

- Second Circuit Thermistor - PRSTAT5K10
- Domestic Hot Water Sensor - PHRSTAO
- PI-485 Gateway - PP485A00T
- Wired Remote Control Cable Assembly - PZCWRC1
- AC Smart 5 - PACS5A000
- ACP 5 - PACP5A000
- Simple Dry Contact - PDRYCB100
- Dry Contact for Third Party Thermostat- PDRYCB320
- Wi-Fi Module - PWFMDD200
- PWYREW000 - Extension Cable for Wi-Fi Modem
- PENKTH000 - Meter Interface Module
- PQRSTAO - Remote Room Air Temperature Sensor

For a complete list of available accessories, contact your LG representative.

Notes:

1. Must follow installation instructions in the applicable installation manual.
1. Power wiring size must comply with the applicable local and national code.
2. Acceptable operating voltage range: 198V - 264V.
3. Sound power level is measured in accordance with ISO 9614.
 - Daytime Max: This mode is measured based on max. fan RPM and max. compressor Hz. that can be reached under outdoor air temperature of 35.6°F.
 - Rated: This mode is measured on the rated condition in the semi-anechoic rooms. Therefore, these values may vary depending on operation conditions.
 - Low Noise: This mode lowers noise by limiting the compressor Hz. and fan RPM, and thus the performance may be limited.
4. Sound pressure level is converted value at 1m distance from sound power level based on tonality penalty of 0dB and installation in free-field.
5. All installation sites must be equipped with an Earth Leakage Circuit Breaker (ELCB).



Job Name/Location: _____

KPHTC411M

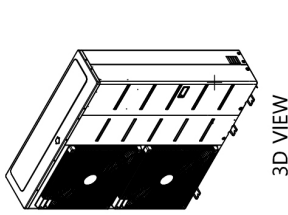
Air-to-Water Heat Pump Monobloc (41,000 Btu/h)



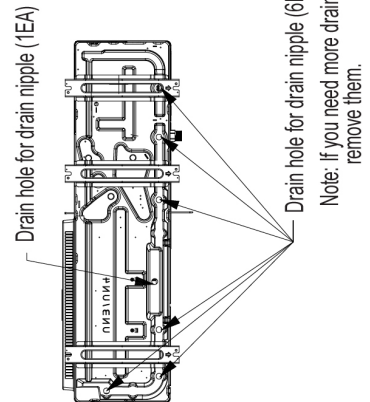
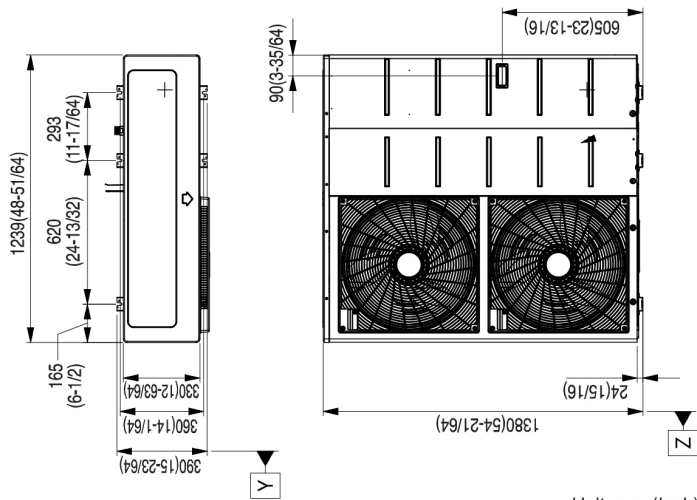
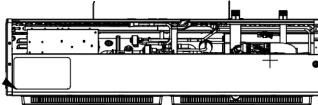
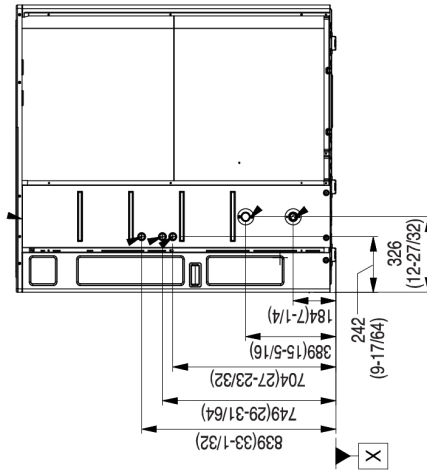
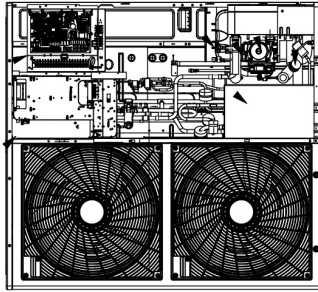
Tag No.: _____

Date: _____

PO No.: _____



3D VIEW



Unit: mm (Inch)

Note

1. Unit must be installed in compliance with the installation manual in the product box.
2. Unit must be grounded in accordance with the local regulations or applicable national codes.