

Job Name/Location:

Tag No.:

Date:

For:	File	Resubmit
	Approval	Other_____

PO No.:

Architect: _____ GC: _____

Engr: _____ Mech: _____

Rep: _____
(Company) (Project Manager)

KSSCA361A
R32 Single-Zone 3x3 Four-Way Ceiling Cassette with LGRED®
Outdoor Unit (ODU) - KUSXA361A, Indoor Unit (IDU) - KNSCB361A



Performance:

Cooling:

Cooling Capacity (Min~Rated~Max, Btu/h)	14,400~36,000~44,000
SEER2	23.50
EER2	13.7

SEER - Seasonal Energy Efficiency Ratio EER - Energy Efficiency Ratio

Heating:

Heating Capacity (Min~Rated~Max, Btu/h)	16,000~40,000~46,000
HSPF2	10.50
Max. Heating @ Indoor 70°F DB (Btu/h)	
Outdoor 17°F WB	41,700
Outdoor 5°F WB	36,000
Outdoor -4°F WB	35,500
Outdoor -13°F WB	30,000

HSPF - Heating Seasonal Performance Factor Heating Nominal Test Conditions:
Cooling Nominal Test Conditions: Indoor: 70°F DB / 60°F WB
Indoor: 80°F DB / 67°F WB Outdoor: 47°F DB / 43°F WB
Outdoor: 95°F DB / 75°F WB

Electrical:

Power Supply (V/Hz/Ø)	208-230/60/1
MOP (A)	35
MCA (A)	32
Cooling / Heating Rated Amps (A)	26.2 / 26.2
Compressor (A)	22.0
Fan Motor (IDU + ODU) (A)	1.0 + (1.6 x 2)
Cooling Power Input (Min~Rated~Max, kW)	0.72~2.63~5.41
Heating Power Input (Min~Rated~Max, kW)	0.80~2.75~4.51
Locked Rotor Amps (A)	22

MOP - Maximum Overcurrent Protection MCA - Minimum Circuit Ampacity

Piping:

Installed Liquid Pipe (in., O.D.)	3/8 Flare
Installed Vapor Pipe (in., O.D.)	5/8 Flare
IDU Liquid Connection (in., O.D.)	3/8 Flare
IDU Vapor Connection (in., O.D.)	5/8 Flare
Additional Refrigerant (oz./ft.)	0.43
Min. / Max. Pipe Length (ft.) ²	16.4 / 246
Piping Length (no add'l refrig., ft.)	24.6
Max. Elevation (ft.)	98.4

Features:

- Inverter (Variable Speed Compressor)
- Internal Condensate Pump
- Jet Cool / Jet Heat
- Auto Restart
- Auto Changeover
- Ultra-quiet Turbo Fan
- Night Quiet Function
- Optional Wi-Fi Control
- Drain Pan Heater
- Swirl Wind
- Direct / Indirect Wind
- Smart Mode
- Refresh Mode

Included Accessories:

- Wireless Remote Controller - PWLSSB21H

Required Accessories:

- Grille Kit - PT-AAGW0

Optional Accessories:

- Premium Panel (incl. Panel PT-AFGW0 + Air Purif. Kit PTAHMP0)-PT-AFGW0S
- Decorative Cover-PTDCA
- Flange-PTVK430
- Auxiliary Heater Kit-PRARH1
- Wi-Fi Module-PWFMD200
- Low Ambient Wind Baffle (Cooling operation to -4°F)-ZLABGP04B Require 2

Controller Options:

- MultiSITE™ CRC* Controllers
- Simple Remote Controller
- Standard III Remote Controllers
- Remote Temperature Button Sensors
- Dry Contacts

- AC Smart 5 Central Controller
- LonWorks® Gateway
- MultiSITE Comm. Mgr.
- ACP 5 BACnet Gateway
- AHU Communication Kit

For a complete list of available accessories, contact your LG representative.

For continual product development, LG reserves the right to change specifications without notice.

© LG Electronics U.S.A., Inc., Englewood Cliffs, NJ. All rights reserved. "LG Life's Good" is a registered trademark of LG Corp. /www.lghvac.com

Operating Range:

Outdoor Unit:

Cooling (°F DB)	5 ~ 118
Heating (°F WB)	-13 ~ +64

Indoor Unit:

Cooling (°F WB)	57 ~ 77
Heating (°F DB)	59 ~ 81

System Data:

Refrigerant Type	R32
Refrigerant Control	EEV
Refrigerant Charge (lbs.)	6.63
ODU Sound Pressure (Cooling / Heating) (±1 dB[A]) ³	52 / 54
IDU Sound Pressure (H/M/L/SL) (±1 dB[A]) ³	44 / 42 / 41
ODU Net / Shipping Weight (lbs.)	190.2 / 214.3
IDU Net / Shipping Weight (lbs.)	56.4 / 70.5
Grille Net Weight (lbs.)	15.6 / 20.5
Heat Exchanger Coating	GoldFin™

Fan:

ODU Type	Propeller
IDU Type	Turbo
Fan Speeds (Fan/Cool/Heat)	4 / 5 / 5
Quantity (ODU + IDU)	2 + 1
Motor/Drive	Brushless Digitally Controlled/Direct
Maximum ODU Air Volume (CFM)	1942 x 2
IDU Air Flow (CFM Max./H/M/L)	971 / 883 / 794
Dehumidification (pts./hr.)	7.8

Notes:

- Acceptable operating voltage: 187V-253V.
- Piping lengths are equivalent.
- Sound Pressure levels are tested in an anechoic chamber under ISO Standard 3745.
- All power supply wiring to the outdoor unit is field supplied, solid or stranded. The power wiring and the communication wiring from the outdoor unit to the indoor unit is field supplied and must be stranded, shielded or unshielded (if shielded, it must be grounded to the chassis of the outdoor unit only). All wiring must comply with applicable local and national codes.
 - Power Supply Wiring to Outdoor Unit (No. x AWG): 3 x 12 for 9k, 12k, 18k, and 24k; 3 x 10 for 30k, 36k, 42k, and 48k.
 - Power Wiring and Communication Wiring from Outdoor Unit to Indoor Unit (No. x AWG): 3 x 14 / 2 x 18.
- See Engineering Manual for sensible and latent capacities.
- This unit comes with a dry helium charge.
- This data is rated 0 ft. above sea level, with 24.6 ft. of refrigerant line and a 0 ft. level difference between outdoor and indoor units.
- Must follow installation instructions in the applicable LG installation manual.
- If the optional low ambient wind baffle (ZLABGP04A) is used, one wind baffle is required for each ODU fan.

BACnet® is a registered trademark of ASHRAE. LonWorks® is a trademark of Echelon Corporation.



Proper sizing and installation of equipment is critical to achieve optimal performance. Split system air conditioners and heat pumps (excluding ductless systems) must be matched with appropriate coil components to meet ENERGY STAR® criteria. Ask your contractor for details or visit www.energystar.gov. (ENERGY STAR and the ENERGY STAR mark are registered trademarks owned by the U.S. Environmental Protection Agency.)

KSSCA361A

R32 Single-Zone 3x3 Four-Way Ceiling Cassette with LGRED®

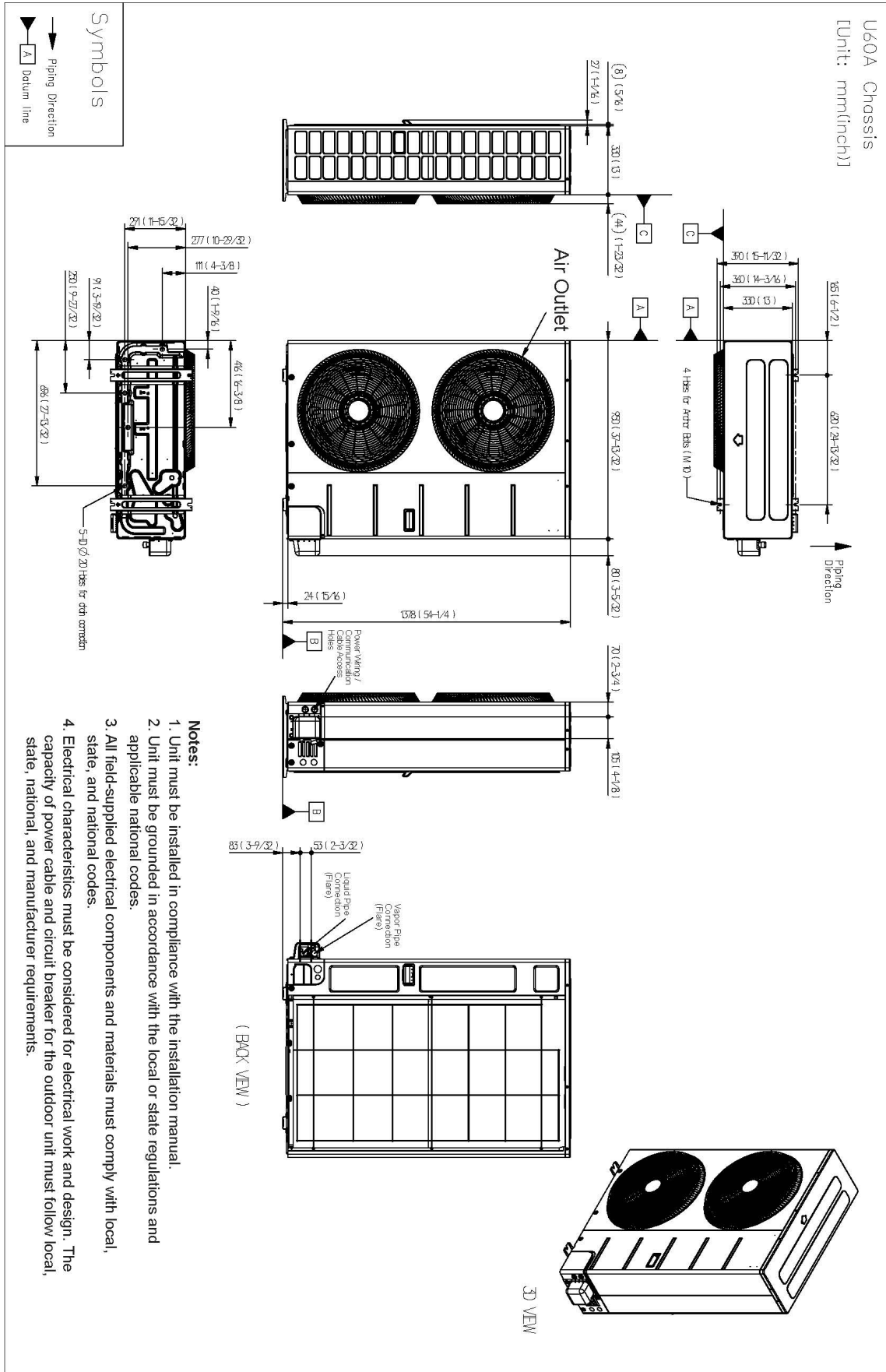
Outdoor Unit (ODU) - KUSXA361A, Indoor Unit (IDU) - KNSCB361A



Tag No.: _____

Date: _____

PO No.: _____



KSSCA361A

R32 Single-Zone 3x3 Four-Way Ceiling Cassette with LGRED®

Outdoor Unit (ODU) - KUSXA361A, Indoor Unit (IDU) - KNCSB361A



Tag No.: _____

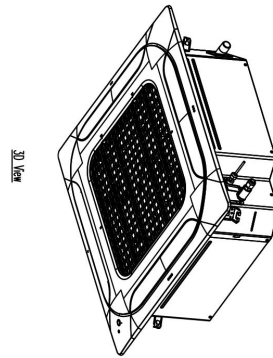
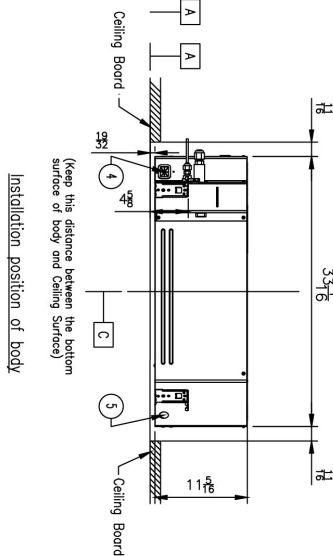
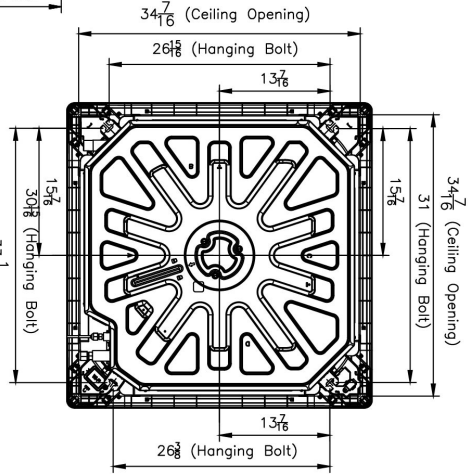
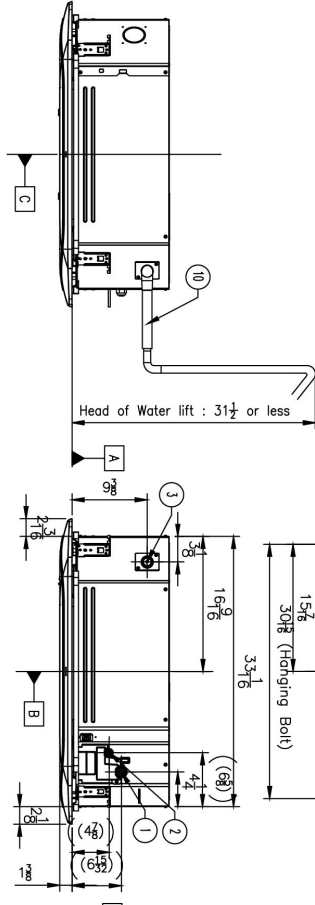
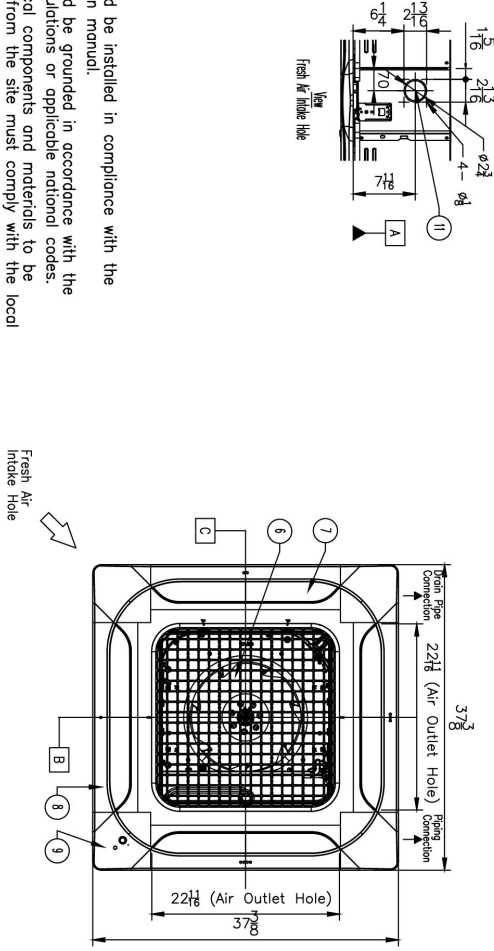
Date: _____

PO No.: _____

[Unit: inch]

- Note:**
1. Unit should be installed in compliance with the installation manual.
 2. Unit should be grounded in accordance with the local regulations or applicable national codes.
 3. All electrical components and materials to be supplied from the site must comply with the local regulations or international codes.

Fresh Air Intake Hole



No.	Part Name	Description
1	Gas Pipe Connection	-
2	Liquid Pipe Connection	-
3	Drain Pipe Connection	-
4	Power and communication cable routing hole	-
5	Wired remote controller wire routing hole	-
6	Air Inlet	-
7	Air Outlet	-
8	Decoration Panel (Accessory)	PT-AAAGWO
9	Decoration Corner Cover	Supplied with panel
10	Flexible Drain Hose	Supplied with product
11	Fresh Air Intake Hole	Knock-out type