

Job Name/Location:

Tag No.:

Date:

For:	File	Resubmit
	Approval	Other_____

PO No.:

Architect: _____ GC: _____

Engr: _____ Mech: _____

Rep: _____
(Company) (Project Manager)



ZRNU093TAAA

R32 Multi V™ Four-Way 3' x 3' Dual Vane Ceiling Cassette
 9,600 Btu/h Indoor Unit

Performance:

Total Cooling Capacity (Btu/h) ¹	9,600
Heating Capacity (Btu/h) ¹	10,900
L/M/H Power Input at Factory Default (W)	10.9 / 17.6 / 24.7

Rated capacity is certified under AHRI Standard 1230. Ratings are subject to change without notice. Current certified ratings are available at www.ahridirectory.org.

Piping:

Refrigerant	
Liquid Line (in., O.D.)	3/8 Flare
Vapor Line (in., O.D.)	5/8 Flare
Condensate	
Condensate Line (in., O.D., I.D.)	1-1/4, 1
Factory Installed Pump ²	Yes

Controls Features:

- Auto changeover (Heat Recovery only)
- Auto operation
- Auto restart
- Dual thermistor control
- Dual setpoint control
- Timer (on/off)
- Weekly schedule
- Fan speed control
- Multiple fan operation settings
- Various airflow modes
- Jet cool (fast cooling)
- Filter life display
- Multiple auxiliary heater applications
- Child lock
- Group control
- High ceiling
- Hot start
- Self diagnostics
- External on/off control
- Wi-Fi compatible
- Auto fan
- R32 leak detection sensor

Required Accessories:

- Standard Panel - PT-AAGW0

Optional Accessories:

- Premium Panel - PT-AFGW0S (PT-AFGW0 Panel + PTAHMP0 Air Purification Kit)
- Cassette Decorative Cover - PTDCA
- Floor Temperature Sensor - PTFMA0
- Human Detection Sensor - PTVSAA0
- Ventilation Flange - PTVK430
- Auxiliary Heater Kit⁵ - PRARH1
- Wi-Fi Module - PWFMD200

Controller Options:

- Wireless Remote Controller
- MultiSITE™ CRC* Controllers
- Simple Remote Controllers
- Standard III Remote Controllers
- Remote Temperature Button Sensor
- Dry Contacts

Electrical:

Power Supply (V/Hz/∅)	208-230/60/1
Rated Amps	1.7

Entering Mixed Air:

Cooling Maximum ¹ (°F WB)	76
Heating Minimum (°F DB)	59

Unit Data:

Refrigerant Type	R32
Refrigerant Control	EEV
Sound Pressure dB(A) (H/M/LL) ³	31 / 28 / 24
Sound Power dB(A) (H/M/L) ⁴	42 / 39 / 36
Standard Filter Type	Washable
Unit Net Weight (lbs.)	59.5
Unit Shipping Weight (lbs.)	71.7
Panel Net Weight (lbs.)	15.6
Panel Shipping Weight (lbs.)	20.5

Fan:

Type	Full 3D Turbo
Quantity	1
Motor/Drive	Brushless Digitally Controlled/Direct
Motor Quantity	1
Air Flow Rate H/M/L (CFM)	670 / 576 / 468

Notes:

1. See Engineering Manual for sensible and latent capacities.
2. Maximum lift is 27-9/16 inches from bottom of unit.
3. Sound Pressure levels are tested in an anechoic chamber under ISO Standard 3745.
4. Sound Power levels are tested in a reverberation chamber under ISO Standard 3741.
5. If a Third-Party Dry Contact and an LG internal heater or an LG Auxiliary Heater Kit is installed, supplemental heat capability cannot be controlled by the Third-Party Thermostat.
6. Communication cable between (main) outdoor unit to indoor units / heat recovery units to be 18 AWG, 2-conductor, twisted, stranded, shielded. Ensure the communication cable shield is properly grounded to the (main) outdoor unit chassis only. **DO NOT** ground the outdoor unit to indoor units / heat recovery units communication cable at any other point. Wiring must comply with all applicable local and national codes.
7. Power wiring is field provided, and must comply with the applicable local and national codes.
8. This unit comes with a dry nitrogen charge.
9. All capacities are net with a combination ratio between 95 – 105%.
10. Must follow installation instructions in the applicable LG installation manual.



ZRNU093TAAA
R32 Multi V™ Four-Way 3' x 3' Dual Vane Ceiling Cassette
 9,600 Btu/h Indoor Unit



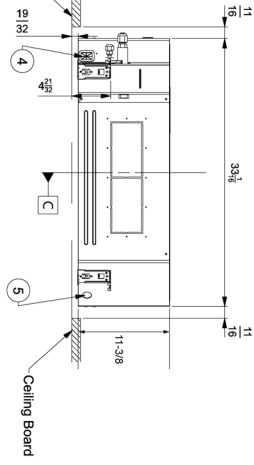
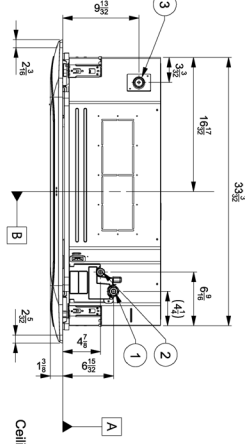
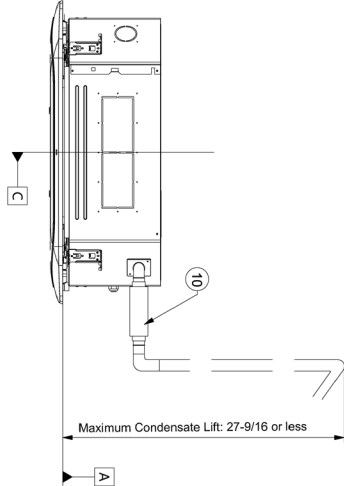
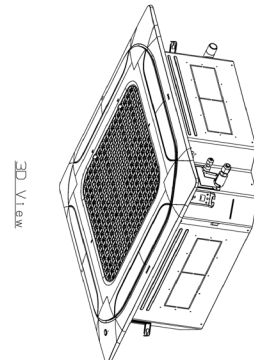
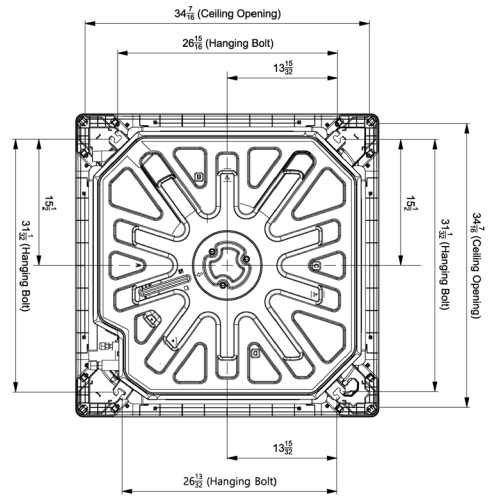
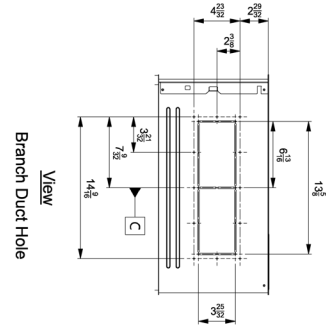
Tag No.: _____

Date: _____

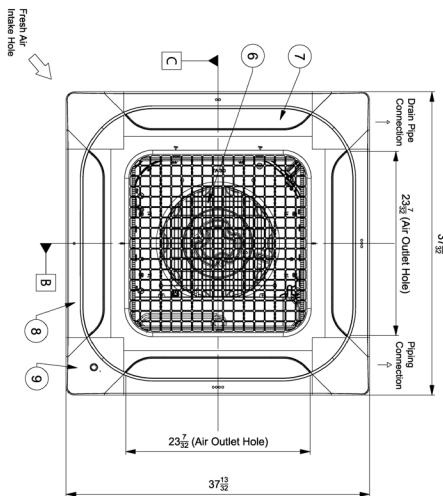
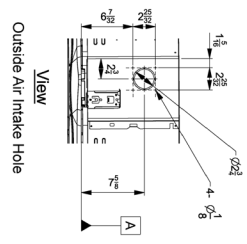
PO No.: _____

Unit: Inch

- Notes:**
1. Unit must be installed in compliance with the installation manual.
 2. Unit must be grounded in accordance with the local or state regulations, and applicable national codes.
 3. All field-supplied electrical components and materials must comply with local, state, and national codes.



Installation Position of Frame
 (Retain the distance shown between the bottom of the frame and the ceiling.)



No.	Part Name	Description
11	Outside Air Intake Hole	Knock-out type
10	Flexible Drain Hose	Supplied with product
9	Decoration Corner Cover	Supplied with panel
8	Standard Panel (Accessory)	PT-AAGW0
8	Premium Panel (Accessory)	PT-AFGW05
7	Air Outlet	-
6	Air Inlet	-
5	Wired Remote Controller/Wiring Routing Hole	-
4	Power/Wiring and Communications Cable Routing Hole	-
3	Drain Pipe Connection	-
2	Liquid Pipe Connection	-
1	Gas Pipe Connection	-