

Job Name/Location:

Tag #:

Date:

For: File Resubmit
 Approval Other _____

PO No.:

Architect:

GC:

Engr:

Mech:

Rep:

(Company)

(Project Manager)

ZCMH01000NA
Manual Outdoor Air Damper and Hood
 for Split Rooftop Unit



Unit Data:

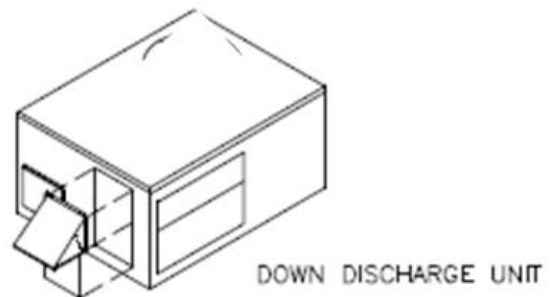
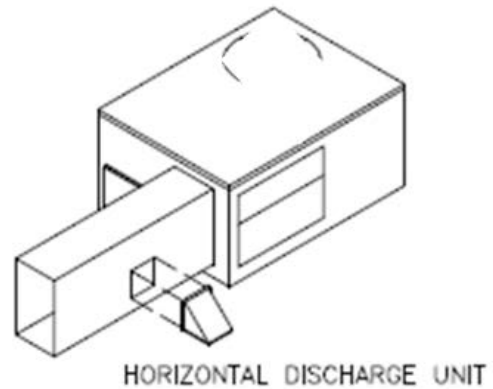
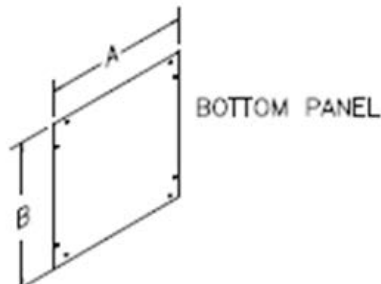
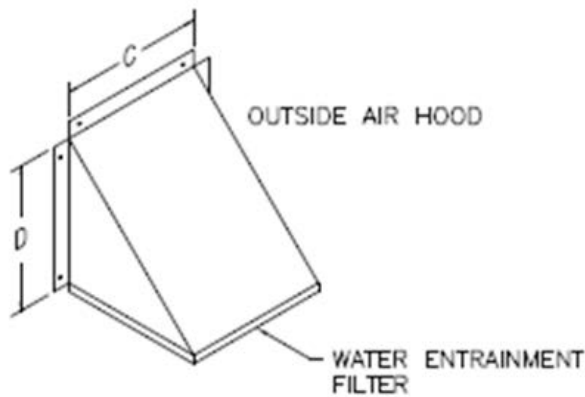
Net Weight (lbs)	11
------------------	----

Compatible Models:

- ARNU363DDA4
- ARNU483DDA4
- ARNU603DDA4
- ARNU723DDA4

Standard Features:

- Barometric Damper opens when fan is on
- Water Entrainment filter
- Gasket Material
- Painted metal hood and panel
- Maximum 30% outdoor air setting



A	B	C	D
11.875	11.25	10.75	15